

Perimeter, Area, Surface Area:

- Goals:**
- *Find perimeter of complex figures
 - *Find area of complex figures and shaded regions
 - *Find surface area of 3-D objects by applying correct formulas
 - *Find volume of 3-D objects, including spheres, cones and cylinders
-

Perimeter:

Circumference:

Perimeter/Circumference Formulas:

Square:

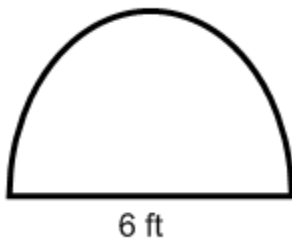
Rectangle:

Circumference:

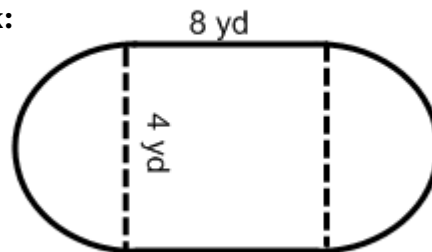
****To find perimeter of any figure you can:**

First, use your pencil to trace/highlight the perimeter of each figure shown below. Then apply the appropriate formulas to find the perimeter of each figure. Show all work.

Ex:



Ex:



Area:

Area Formulas:

Square:

Rectangle:

Triangle:

Parallelogram:

Trapezoid:

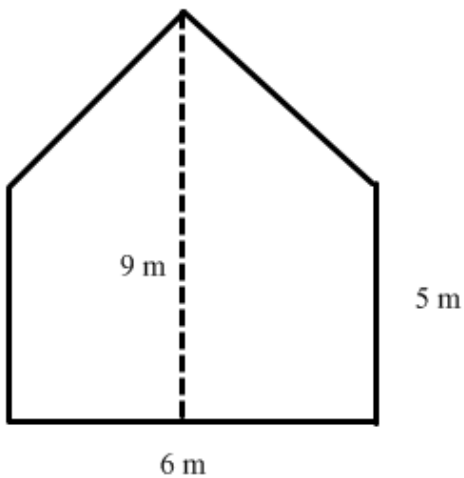
Circle:

***To find areas of complex figures (more than one shape) you:**

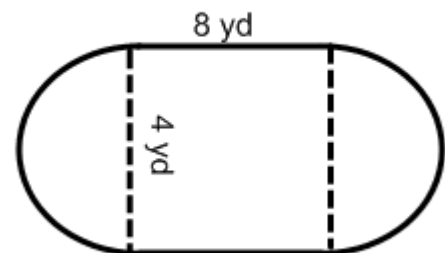
***To find areas of shaded regions you:**

Find the area of each complex figure shown below (Show all work including formulas used):

Ex:

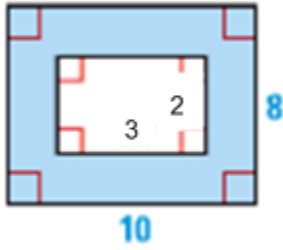


Ex:

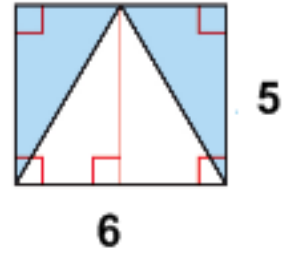


Find the area of each shaded region shown below (Show all work including formulas used) :

Ex:



Ex:



Surface Area:

Surface Area Formulas:

Rectangular Prism:

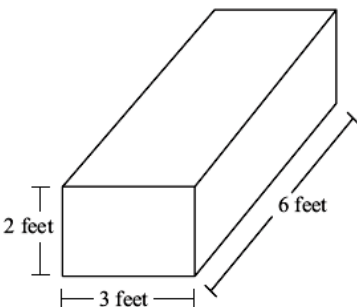
Cylinder:

Pyramid:

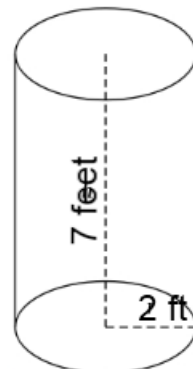
Cone:

Find the surface area of each figure shown below. Be sure to use the correct formula and show all work.

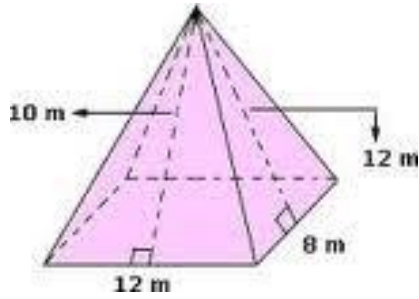
Ex:



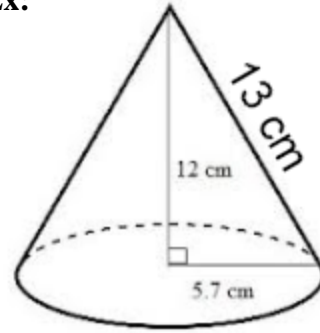
Ex:



Ex:



Ex:



Volume:

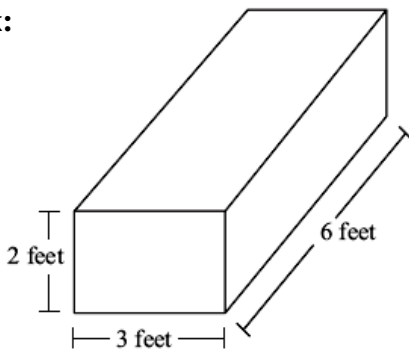
Volume Formulas:

Rectangular Prism:

Cube:

Find the volume of each figure shown below. Be sure to use the correct formula and show all work.

Ex:



Ex:

