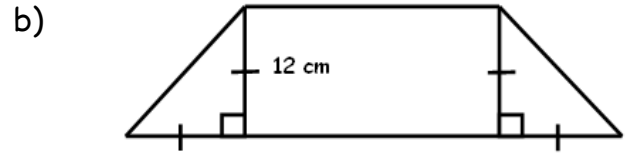
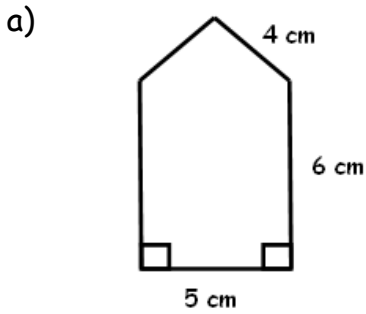
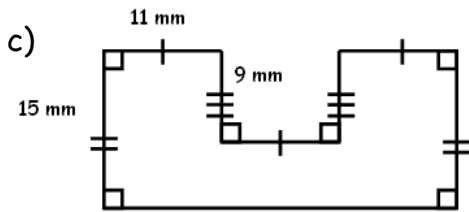
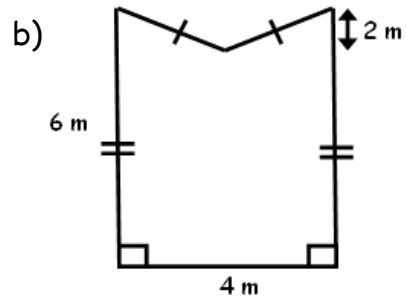
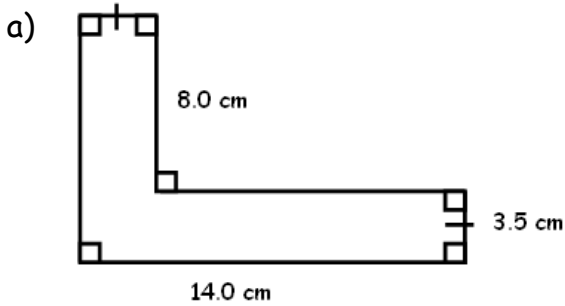


[6] 1. Calculate the area of each figure.

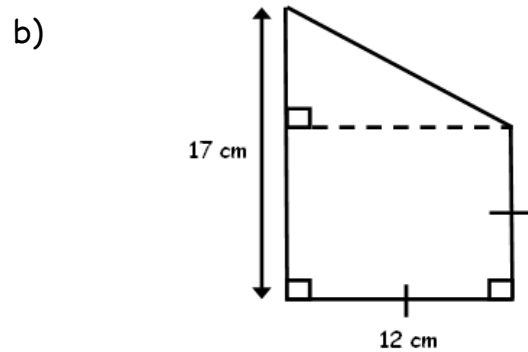
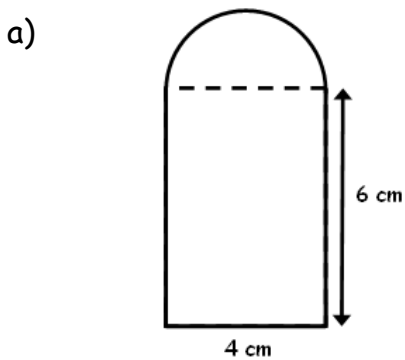


[12] 2. For each composite figure shown,

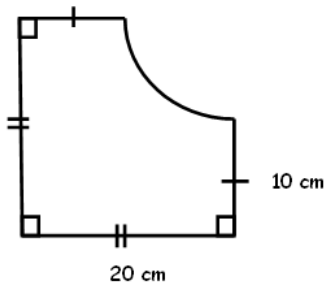
- Identify the simple shapes that make up the complicated figure
- Determine the total area



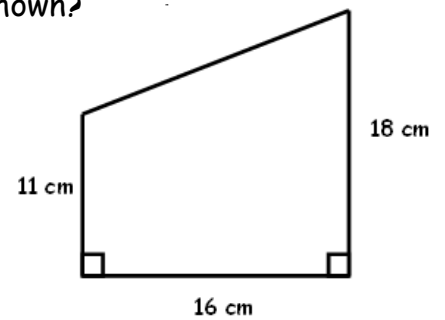
[9] 3. Calculate the perimeter of each figure.



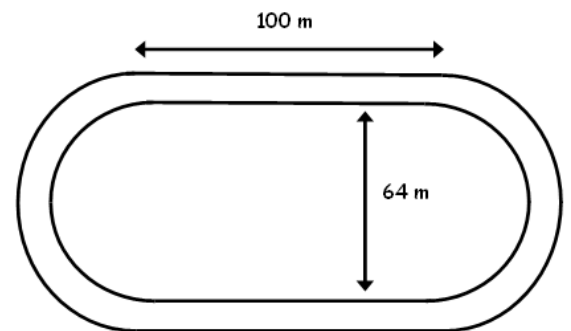
- [4] 4. The design of a machine part is shown. The cut-out shape is a quarter circle. Calculate the area of the machine part.



- [8] 5. a) What length of fencing is needed to surround the yard shown?
b) What is the area of the yard?

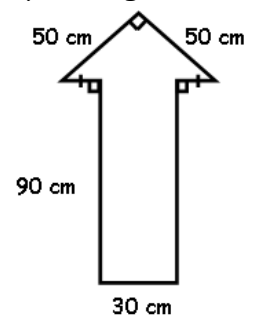


- [7] 6. The diagram shows a running track at a high school. It consists of two parallel line segments with a semicircle at each end. The track is 10m wide.



- a) Kayla runs on the inside of the track. How far does she run?
- b) Emi runs on the outer edge. How far does she run in one lap?
- c) Find the difference between the distances run by Kayla and Emi.

- [8] 7. Brad is planning a garage sale. To direct customers to his house, he is painting six arrow signs.



- a) Calculate the area of one sign.
- b) Each can of paint can cover 1 m^2 . How many cans of paint should Brad buy for all six signs. Explain your answer.