

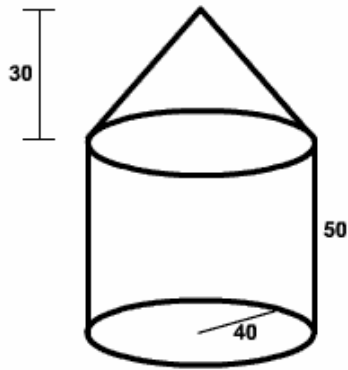
Name _____

Date _____

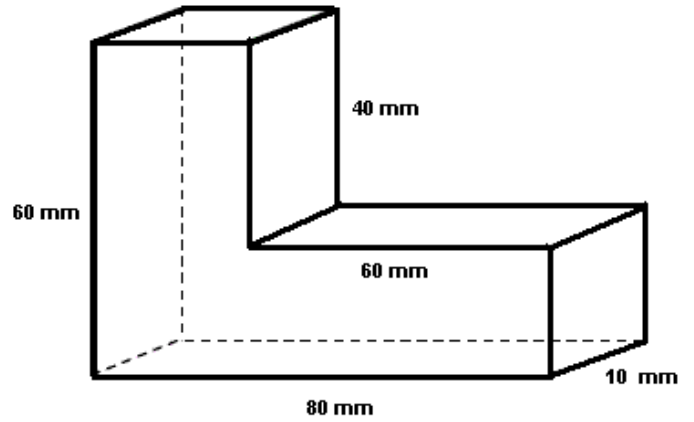
Volume of Complex Figures

Find the volume of each 3-D figure. Show all of your work neatly and clearly. Label all parts of your work.

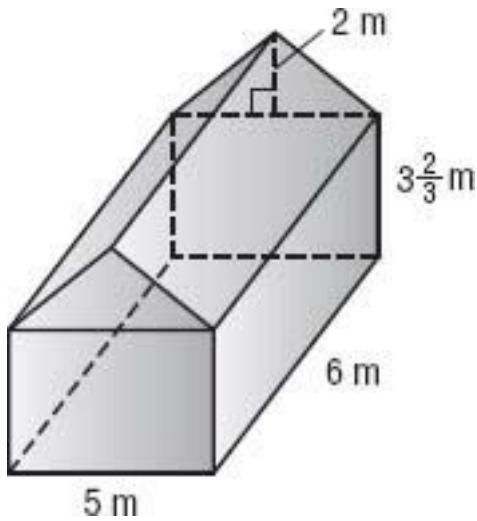
1)



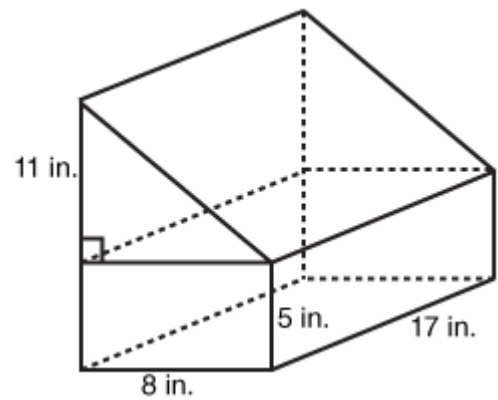
2)



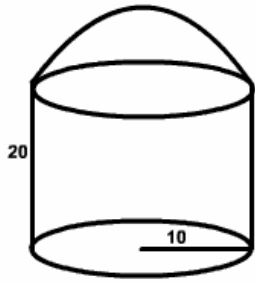
3)



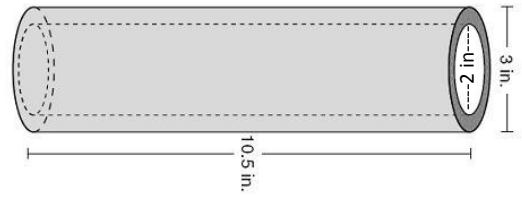
4)



5)

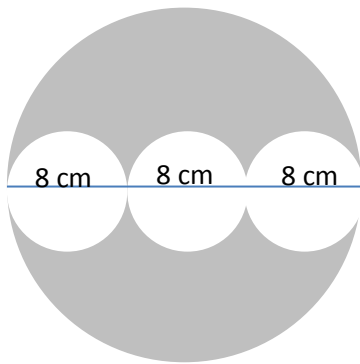


6)

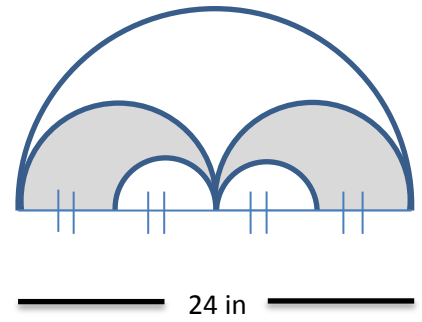


Find the area of each shaded region.

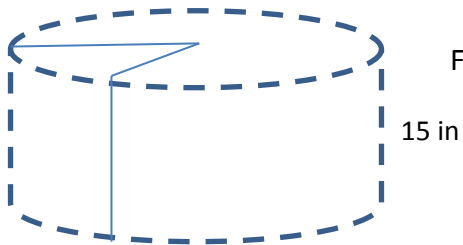
7)



8)

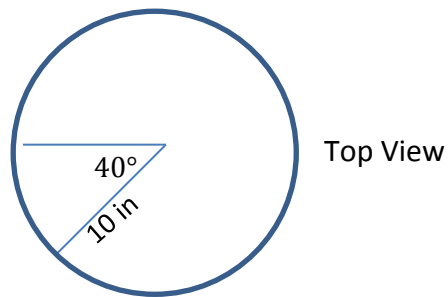


9)



A wedge of cheese is removed from the cylindrical block to the left.

Find the volume of the wedge.



Top View