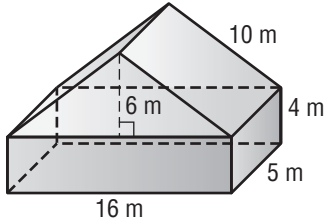


Skills Practice

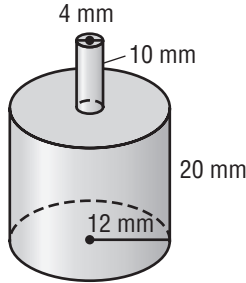
Volume and Surface Area of Composite Figures

Find the volume and surface area of each composite figure. Round to the nearest tenth.

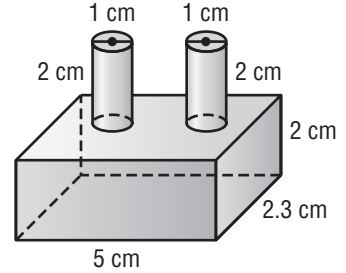
1.



2.

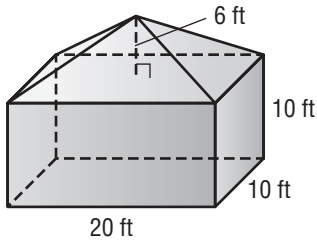


3.

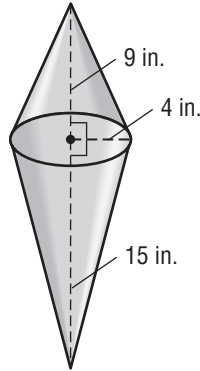


Find the volume of each composite figure. Round to the nearest tenth.

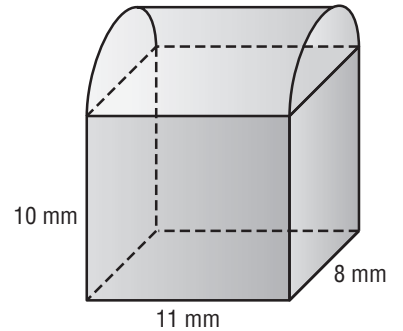
4.



5.



6.



7. **MULCH** Marcus is putting a ring of mulch around a tree. The figure shows the top view of the mulch. The mulch will be 3 inches deep. Find the volume of mulch.

